



Group of Companies

KING TRAILERS LIMITED

Riverside, Market Harborough,
Leicestershire, LE16 7PX

Telephone: +44 (0) 1858 467361

Fax: +44 (0) 1858 467161

info@kingtrailers.co.uk

www.king.uk.com

T90/4 – Heavy Duty Stepframe for World Markets

03.09.12



Key features

Gooseneck – Narrow type neck – optional full width type available for extra load space. 3.5” (89mm) Kingpin is fitted. 1 pairs of shackles

Main Deck – The chassis frame is fabricated from high yield steel rolled beams with all crossmembers fully pierced and heavy duty rolled section sideraves. 44mm hardwood decking. 6 pairs of shackles fitted to the siderave.

Beavertail – All steel construction (0.9m long) covered with 44mm hardwood floor providing a loading angle of 12°. Drop down steady legs are fitted.

Ramps – 2m x 1m hinged and spring assisted all steel ramps with grip strips are fitted to the rear beavertail as standard on all models.

Axles/Suspension – 4 x 18000kgs Heavy duty axles are fitted with spring suspension rocks and

rubber bushed radius rods fitted for low maintenance

Wheels/Tyres – Premium grade tyres fitted to steel disc wheels in twin formation are fitted as standard. 16 off supplied.

Brakes – S’ cam type brakes are operated by a 2 line air system. Spring type parking brakes are fitted as standard; a ratchet type handbrake may be fitted as an option. ‘C’ or palm type couplings are fitted as standard.

Electrics – 24V double pole system with 7-pin plug wired to ISO1185. Side marker, stop, tail and indicator lights also fitted as standard.

Landing Legs – Pin type with flat feet for simple operation in off road conditions.

Finish – All steel parts shotblasted to SA2.5 followed by high build primer and two pack single colour top coat of customer’s choice.

Options – A full range of options are available.

Plating Data	Design
Gross trailer weight	110,000kg
Axle capacity	4 x 18,000kg
Kingpin loading	38,600kg
Approx. tare weight	20,000kg
Payload (approx.)	90,000kg

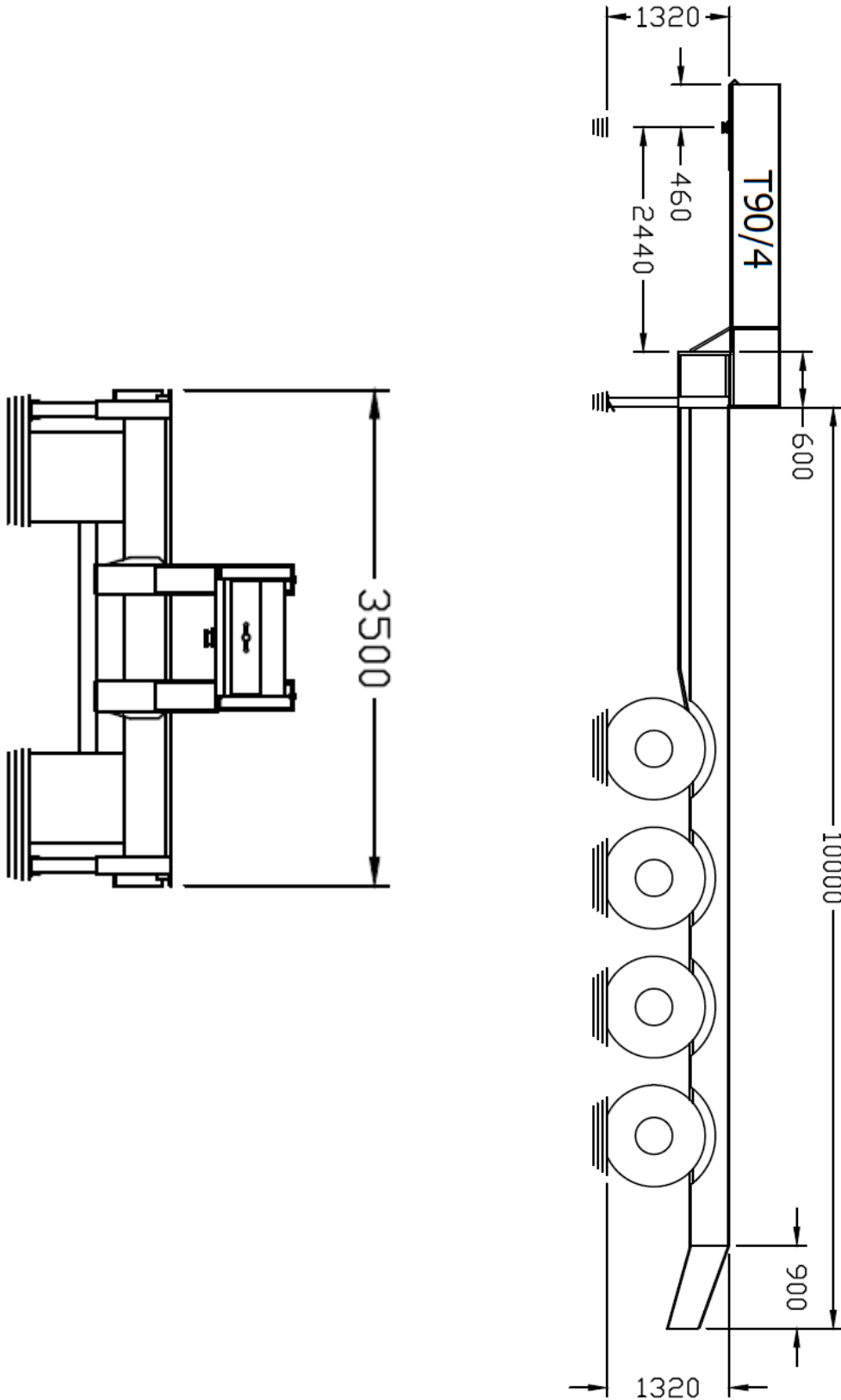
*Tare weight and payload vary depending on options supplied.



Group of Companies

T90/4 – Heavy Duty Stepframe for World Markets

03.09.12



KING VEHICLE ENGINEERING LIMITED AND ASSOCIATED COMPANIES

Riverside, Market Harborough, Leicestershire, England, LE16 79X. Telephone: +44 (0) 1858 467361. Fax: +44 (0) 1858 467161. www.king.uk.com
Due to the policy of continuous improvement, King reserves the right to amend specifications without notice.