



Group of Companies

KING TRAILERS LIMITED

Riverside, Market Harborough,  
Leicestershire, LE16 7PX

Telephone: +44 (0) 1858 467361

Fax: +44 (0) 1858 467161

info@kingtrailers.co.uk

www.king.uk.com

## T30/2 – Heavy Duty Stepframe for World Markets

03.09.12



### Key features

**Gooseneck** – Narrow type neck – optional full width type available for extra load space. 2" (50mm) Kingpin is fitted. 1 pairs of shackles

**Main deck** – The chassis frame is fabricated from high yield steel rolled beams with all crossmembers fully pierced and heavy duty rolled section sideraves. 44mm hardwood decking. 6 pairs of shackles fitted to the siderave.

**Beavertail** – All steel construction (0.9m long) covered with 44mm hardwood floor providing a loading angle of 12°. Drop down steady legs are fitted.

**Ramps** – 2m x 1m hinged and spring assisted all steel ramps with grip strips are fitted to the rear beavertail as standard on all models.

**Axles/suspension** – 2 x 8110kgs Heavy duty axles are fitted with spring suspension trunion mounted for high oscillation and low maintenance.

**Wheels and tyres** – Premium grade tyres fitted to steel disc wheels in twin formation are fitted as standard. 8 off supplied.

**Brakes** – S' cam type brakes are operated by a 2 line air system. Spring type parking brakes are fitted as standard, a ratchet type handbrake may be fitted as an option. 'C' or palm type couplings are fitted as standard.

**Electrics** – 24V double pole system with 7-pin plug wired to ISO1185. Side marker, stop, tail and indicator lights also fitted as standard.

**Landing legs** – Pin type with flat feet for simple operation in off road conditions.

**Finish** – All steel parts shotblasted to SA2.5 followed by high build primer and two pack single colour top coat of customer's choice.

**Options** – A full range of options are available.

Plating Data	Design
Gross trailer weight	36,920kg
Axle capacity	2 x 10,810kg
Kingpin loading	15,300kg
Approx. tare weight	6,500kg
Payload (approx.)	30,420kg

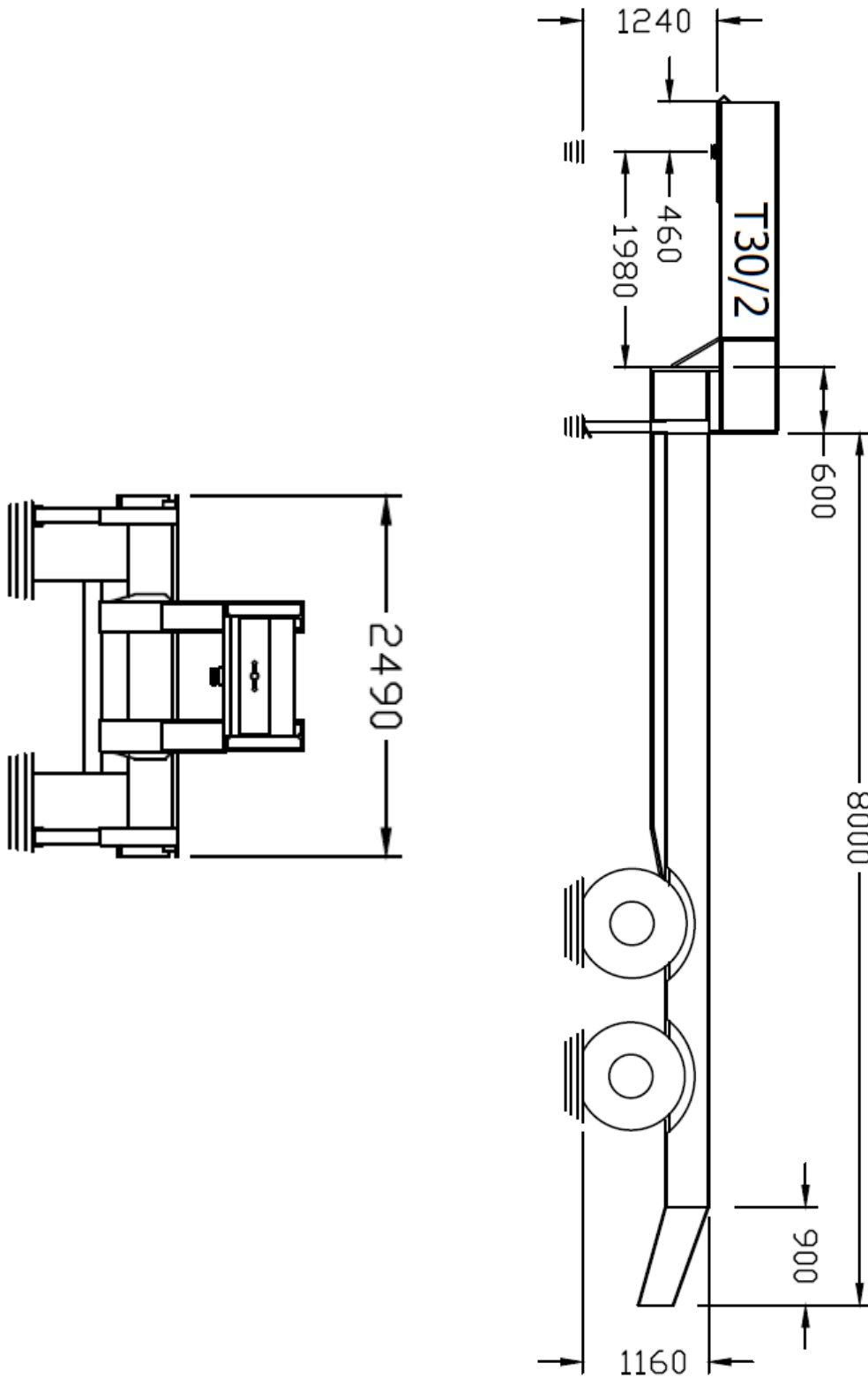
\*Tare weight and payload vary depending on options supplied.



Group of Companies

# T30/2 – Heavy Duty Stepframe for World Markets

03.09.12



KING VEHICLE ENGINEERING LIMITED AND ASSOCIATED COMPANIES

Riverside, Market Harborough, Leicestershire, England, LE16 79X. Telephone: +44 (0) 1858 467361. Fax: +44 (0) 1858 467161. [www.king.uk.com](http://www.king.uk.com)  
Due to the policy of continuous improvement, King reserves the right to amend specifications without notice.