



Group of Companies

KING TRAILERS LIMITED

Riverside, Market Harborough,
Leicestershire, LE16 7PX

Telephone: +44 (0) 1858 467361

Fax: +44 (0) 1858 467161

info@kingtrailers.co.uk

www.king.uk.com

KPS40/3-17.5 – Slope Deck Platform Trailer

01.08.12



Key features

Chassis – High tensile I beam main rails with 160mm deck neck. 1600mm Kingpin position. Steel I beam cross members at 450mm nominal centres. 29mm hardwood floor, including timber over the wheels. 150mm x 50mm x 6mm heavy duty side rave. Standard trailer suited for 1245mm fifth wheel height.

Kingpin – A 50mm (2”) SMMT standard bolt on Kingpin is fitted. Rear swing clearance 2240mm.

Beavertail – 1.42m long x 2.54m wide all steel construction overlaid with 29mm hardwood providing a loading angle of 9°.

Axles and suspension – 3 x 9 tonne axles are fitted with fully equalising air suspension complete with raise and lower facility.

Wheels and tyres – 235/75R 17.5 low profile tyres fitted to U17.5 x 6.75R – 10 stud steel spigot disc wheels – 12off supplied.

Brakes – 2 line air-operated ‘S’ cam type drum brakes complete with load sensed EBS. ‘C’ type air couplings. Spring parking brakes operating on two axles with park/shunt valves.

Landing legs – Two speed landing gear with rocking feet push/pull gear change with captive handles.

Electrics – 24v ISO standard system wired via two 7-pin sockets. Beacon and socket to off side ramp only.

Spray suppression – Spray suppression fitted conforming to BSAU 200T.

Finish – All steel parts are shot blasted (SA2.5) prior to fabrication. The structure is cleaned prior to the application of a high build primer, followed by the application of a two pack, single colour top coat (colour of customer’s choice).

Options – A full range of options suitable for your specific operating requirements is available on request.

Plating Data	Design	C&U
Gross trailer weight	40,000kg	37,000kg
Axle capacity	9,000kg	8,000kg
Kingpin loading	13,000kg	13,000kg
Approx. tare weight*	8,500kg	8,500kg
Payload (approx.)	N/A	28,500kg

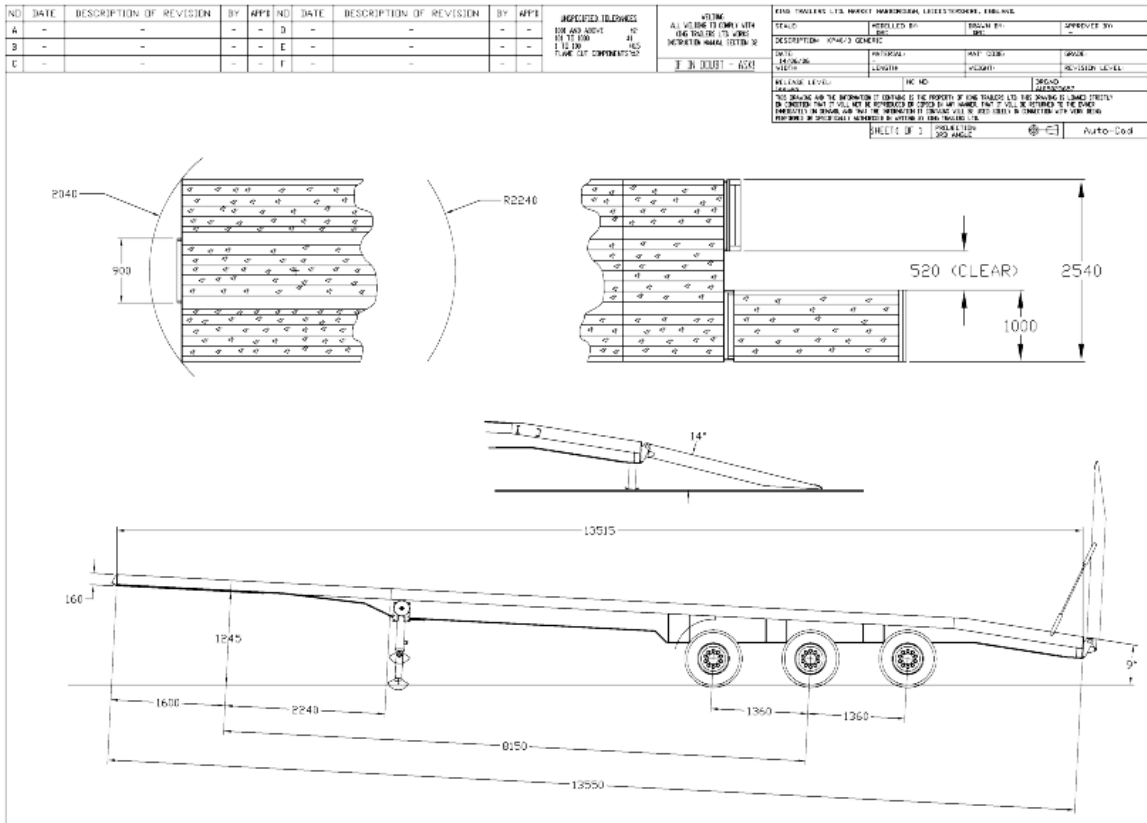
*Tare weight and payload vary depending on options supplied.



Group of Companies

KPS40/3-17.5 – Slope Deck Platform Trailer

01.08.12



KING VEHICLE ENGINEERING LIMITED AND ASSOCIATED COMPANIES

Riverside, Market Harborough, Leicestershire, England, LE16 79X. Telephone: +44 (0) 1858 467361. Fax: +44 (0) 1858 467161. www.king.uk.com
 Due to the policy of continuous improvement, King reserves the right to amend specifications without notice.